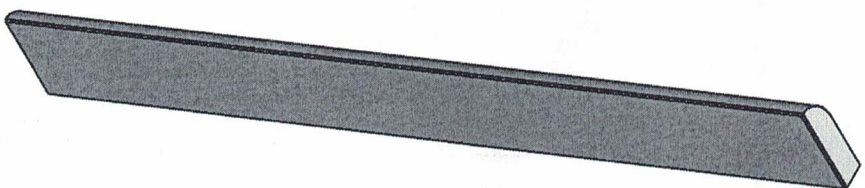
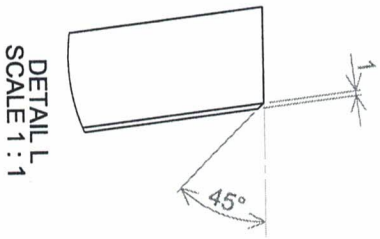
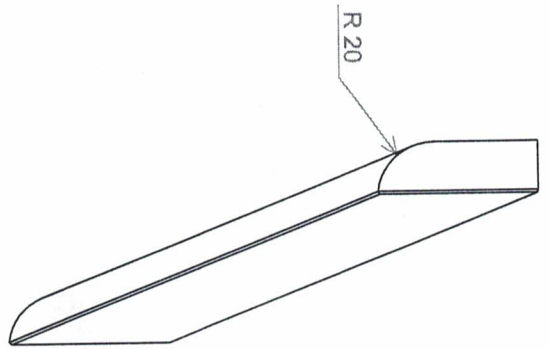
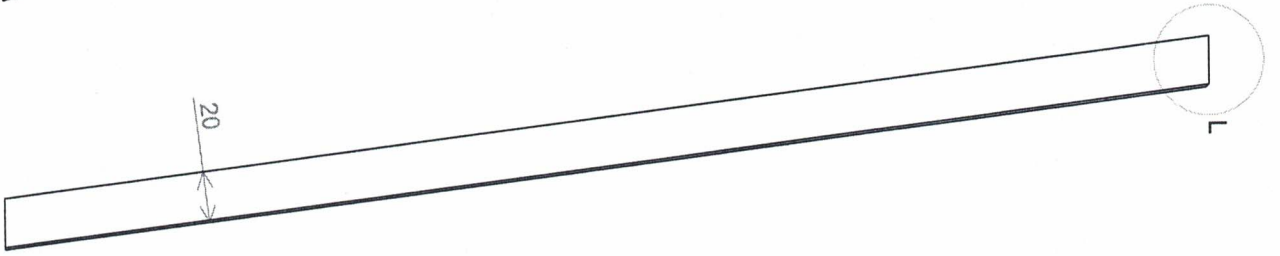
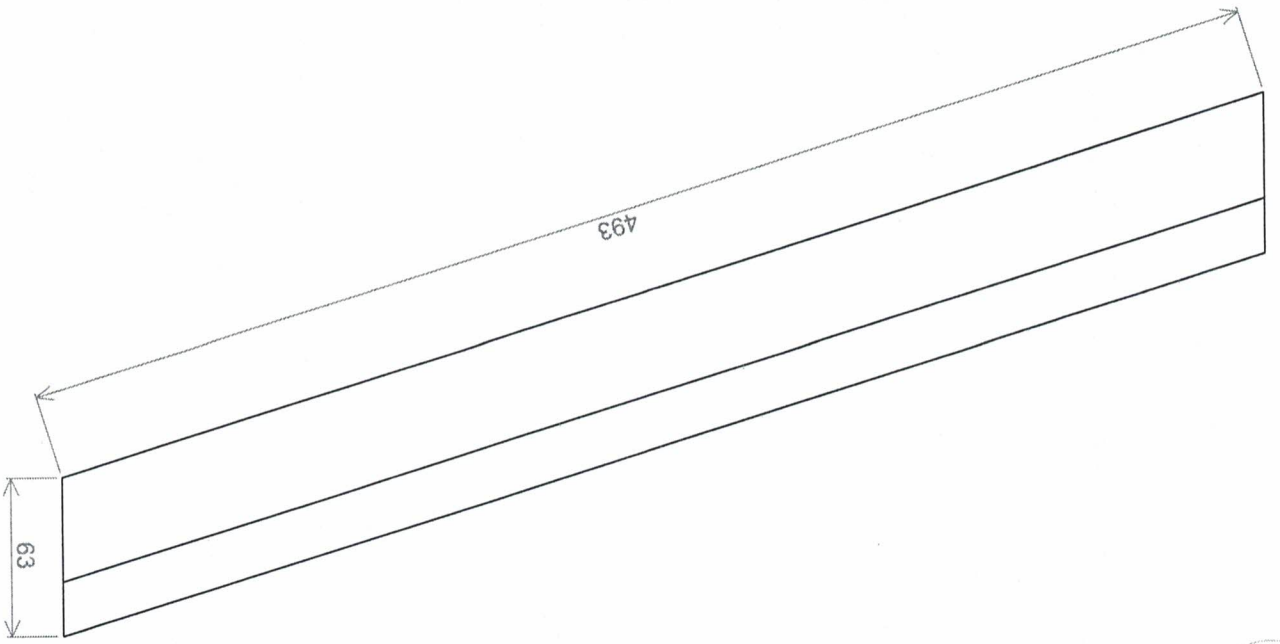
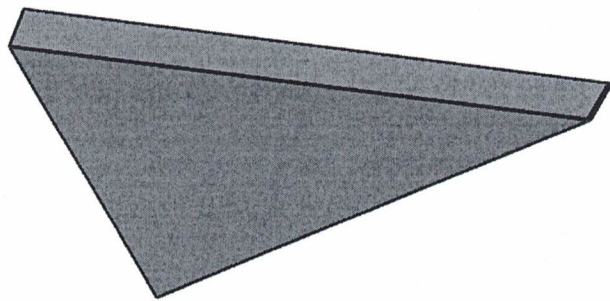
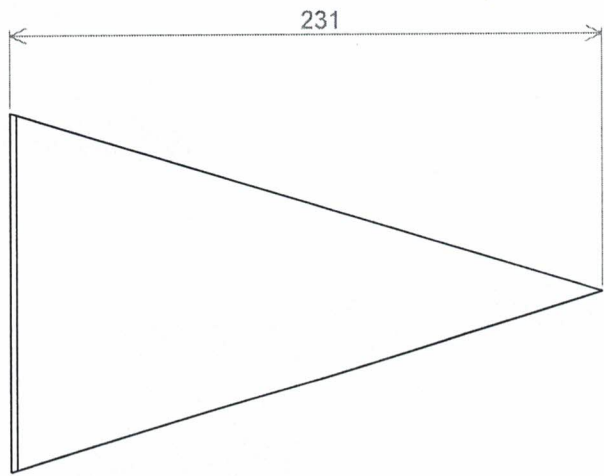
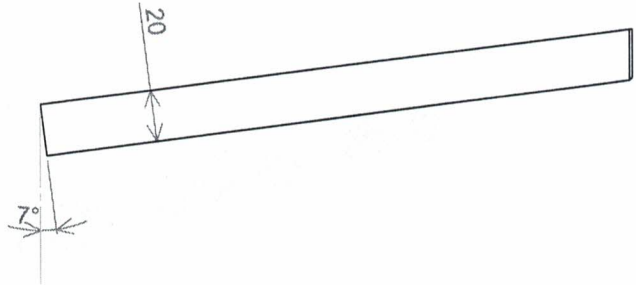
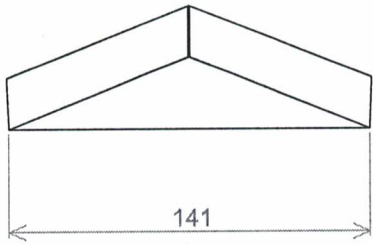
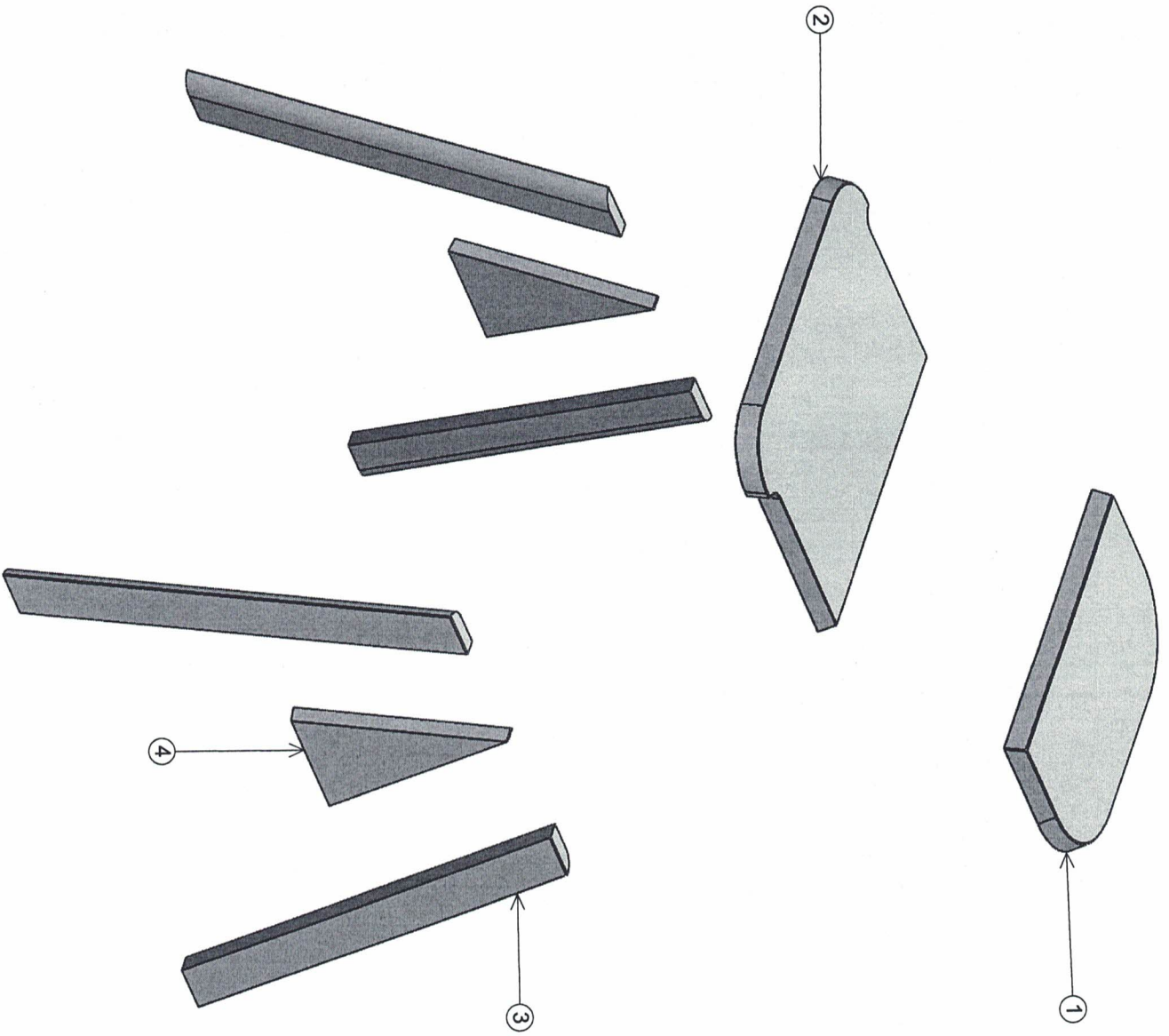


and the content are exclusive property of Shane Schepke Office for







The content and the content are exclusive property